



FM-800 Flush Manifold

Safely and Reliably Flushes Chemical Lines

Reliability is top priority with the FM-800, Hydro's latest Flush Manifold product. Its design incorporates fewer leak paths, all threaded seals and a more flexible, robust water inlet connection.

The expandable manifold consists of molded modules that easily thread together to accommodate a variety of installation configurations. As your demands increase, so can the capabilities of your Flush Manifold. The manifold also has multiple proven components to optimize safe performance for the life of your dispenser:

- Industry standard ball and spring check valves prevent unwanted chemical mixing
- An integrated flow switch avoids incomplete dispensing with water flows under 0.65 GPM
- Straight and 90° hose barbs with a push-to-connect interface ensure an easy and hassle-free install
- A swivel feature that allows the unit to be adjusted at 45 degree increments from the vertical for added flexibility

Benefits

- Easily connects to most Hydro dispensing systems
- Reduces stress on the peristaltic pump system by using water to transport products over long distances
- Optimizes safety and cleaning results — avoids potentially hazardous chemical mixing by flushing with an adequate water supply between dosages

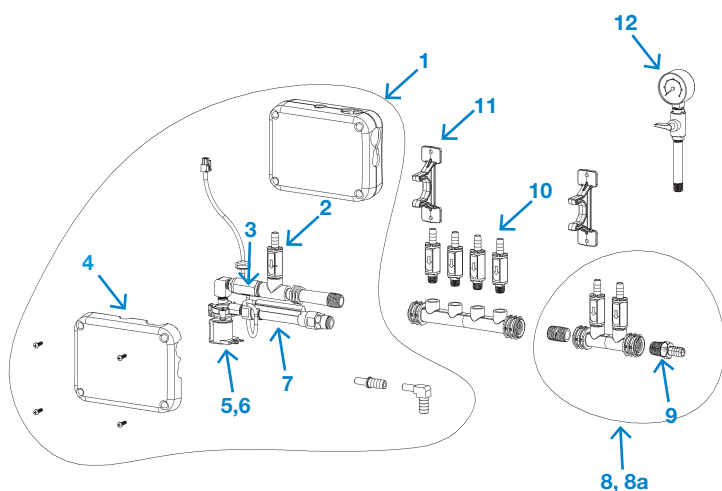


Compatible with all Hydro controllers including Eclipse and Total Eclipse





Parts Reference



| Ref. No. | Description | Part Number |
|----------|---|---------------|
| 1 | Inlet Manifold Kit | 00-03608-00XT |
| 2 | Vent Port Check Valve, White | 41-04807-00 |
| 3 | Inline Check Valve | 41-06508-44 |
| 4 | Cover Kit with Screws | 10096138XT |
| 5 | Solenoid Valve Rebuild Kit | 15-03778-00 |
| 6 | Solenoid Valve Replacement | 49-06472-10 |
| 7 | Flow Switch Replacement Kit (Includes Fitting and Wire Harness) | 10098690 |
| 8 | 2 Port Add-On Kit (Includes Check Valves and End Fittings) | 00-03608-01XT |
| 9 | Discharge Barb | 41-04996-01 |
| 10 | Chemical Port Check Valve | 41-04207-46 |
| 11 | Wall Hanger Kit (2 Hangers with Screws and Anchors) | 10096115 |
| 12 | Pressure Gauge Kit | 10098692 |

| Model No. | Description | Part Number |
|-----------|---|---------------|
| FM-802 | Modular Flush Manifold 2-product | 00-03608-02XT |
| FM-804 | Modular Flush Manifold 4-product | 00-03608-04XT |
| FM-806 | Modular Flush Manifold 6-product | 00-03608-06XT |
| FM-808 | Modular Flush Manifold 8-product | 00-03608-08XT |
| FM-800 | Modular Flush Manifold 2-product add-on | 00-03608-01XT |