



# Twist II Clean

## Precision Injection for Agricultural Medication

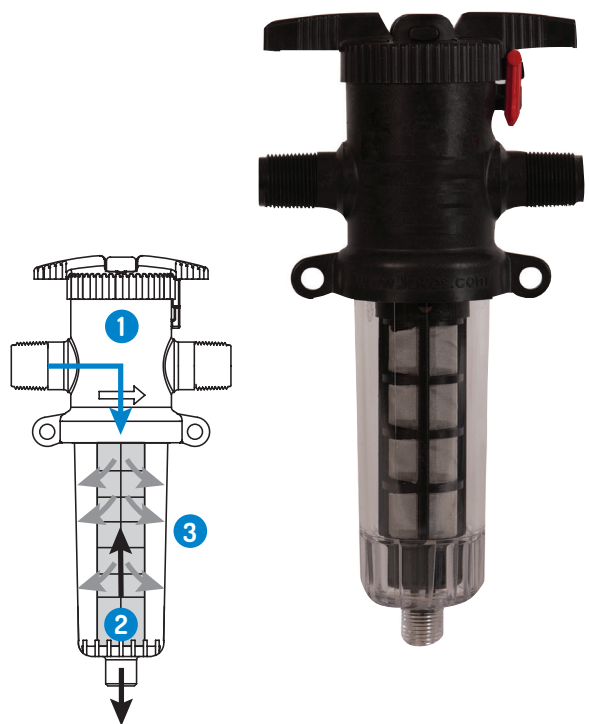
The Twist II Clean filters have many unique and patented features and benefits, placing them in a class of their own.

- Simple 1/4" turn operation
- Filter element flushes completely clean in less than 20 sec.
- No need to turn off water to clean (eliminates air in system)
- Rugged design installs indoors or outdoors
- Stainless steel filter element lasts for years
- Never buy filter cartridges again!

### Patented Reverse Flushing Action

When the top handle is turned, three events take place:

1. Flow direction is changed to inside-out
2. The filter element is lifted to open the bottom flush port
3. An inside-out backwash occurs, and the filter element is cleaned



### Often Used



irrigation



vehicle care



industry

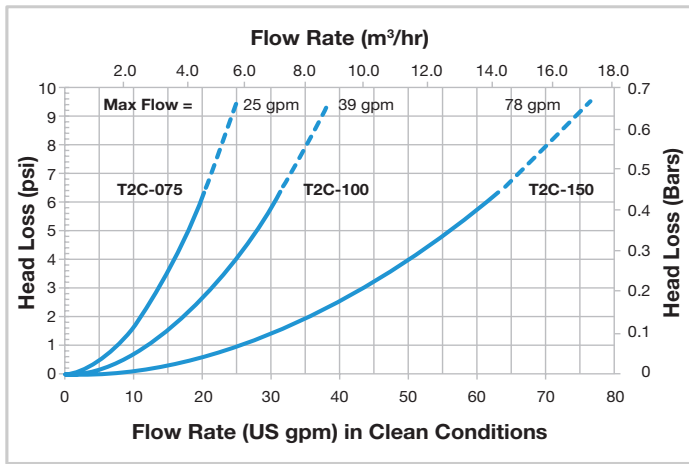


food  
processing



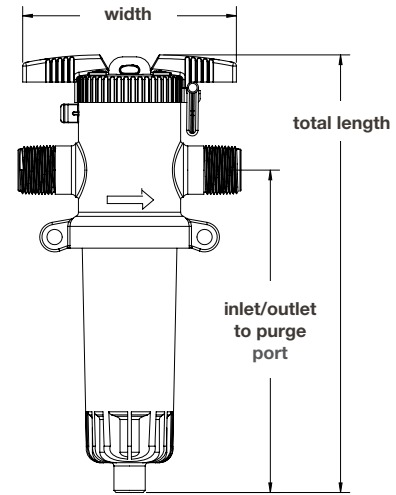
horticulture

## Technical Specifications



= recommended flow range

## Dimensions



## Mesh Sizes Available

- 30 Mesh (600 Micron) Element (Brown)
- 100 Mesh (150 Micron) Element (Gray)
- 60 Mesh (250 Micron) Element (White)
- 140 Mesh (600 Micron) Element (Black)

Model	Description	Filter Screen Size		Max Operating Pressure		Inlet/Outlet Connection	Purge Outlet	Total Length	Length	Width
		Mesh	Micron	psi	bar					
017004	T2C 3/4" 105 Micron NPT	140	105	100	7	3/4" NPT	1/2" NPT	11 3/4"	8 3/4"	6"
017003	T2C 3/4" 150 Micron NPT	100	150	100	7	3/4" NPT	1/2" NPT	11 3/4"	8 3/4"	6"
017002	T2C 3/4" 250 Micron NPT	60	250	100	7	3/4" NPT	1/2" NPT	11 3/4"	8 3/4"	6"
017001	T2C 3/4" 600 Micron NPT	30	600	100	7	3/4" NPT	1/2" NPT	11 3/4"	8 3/4"	6"
017008	T2C 1" 105 Micron BSP	140	105	100	7	1" NPT	1/2" NPT	11 3/4"	8 3/4"	6"
017007	T2C 1" 150 Micron BSP	100	150	100	7	1" NPT	1/2" NPT	11 3/4"	8 3/4"	6"
017006	T2C 1" 250 Micron BSP	60	250	100	7	1" NPT	1/2" NPT	11 3/4"	8 3/4"	6"
017005	T2C 1" 600 Micron BSP	30	600	100	7	1" NPT	1/2" NPT	11 3/4"	8 3/4"	6"
017011	T2C 1 1/2" 105 Micron BSP	140	105	100	7	1 1/2" NPT	3/4" NPT	15"	12"	8"
017014	T2C 1 1/2" 150 Micron BSP	100	150	100	7	1 1/2" NPT	3/4" NPT	15"	12"	8"
017013	T2C 1 1/2" 250 Micron BSP	60	250	100	7	1 1/2" NPT	3/4" NPT	15"	12"	8"
017012	T2C 1 1/2" 600 Micron BSP	30	600	100	7	1 1/2" NPT	3/4" NPT	15"	12"	8"
015760	T2C 2" 75 Micron Flange	200	75	100	7	2" Flange	3/4" NPT	24"	18"	8 1/4"
015700	T2C 2" 105 Micron Flange	140	105	100	7	2" Flange	3/4" NPT	24"	18"	8 1/4"
015710	T2C 2" 150 Micron Flange	100	150	100	7	2" Flange	3/4" NPT	24"	18"	8 1/4"
015720	T2C 2" 250 Micron Flange	60	250	100	7	2" Flange	3/4" NPT	24"	18"	8 1/4"